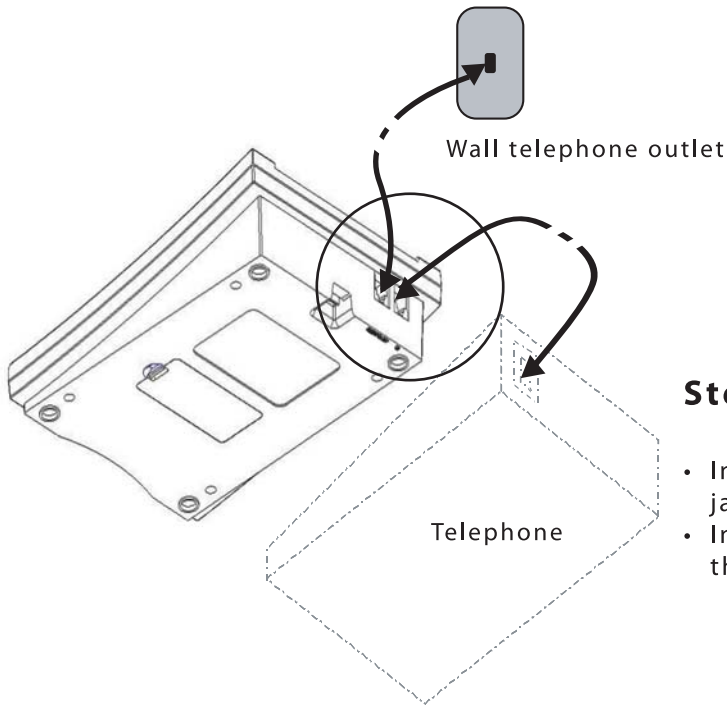
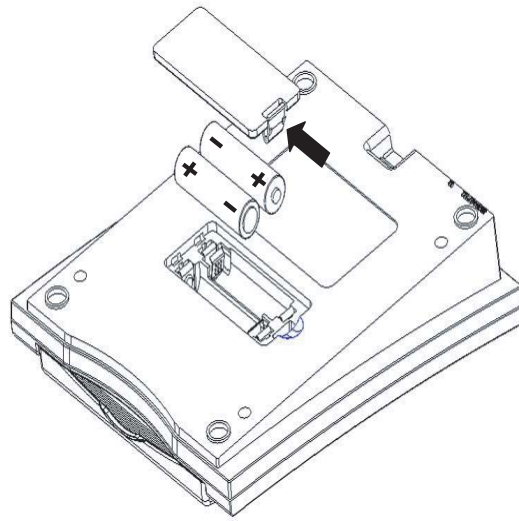


Step 1: Install Batteries

- Deflect battery door latch to remove battery door
- Install 2 "AA" alkaline batteries
- Re-assemble the battery door, by hooking in the tabs and snapping the door in place

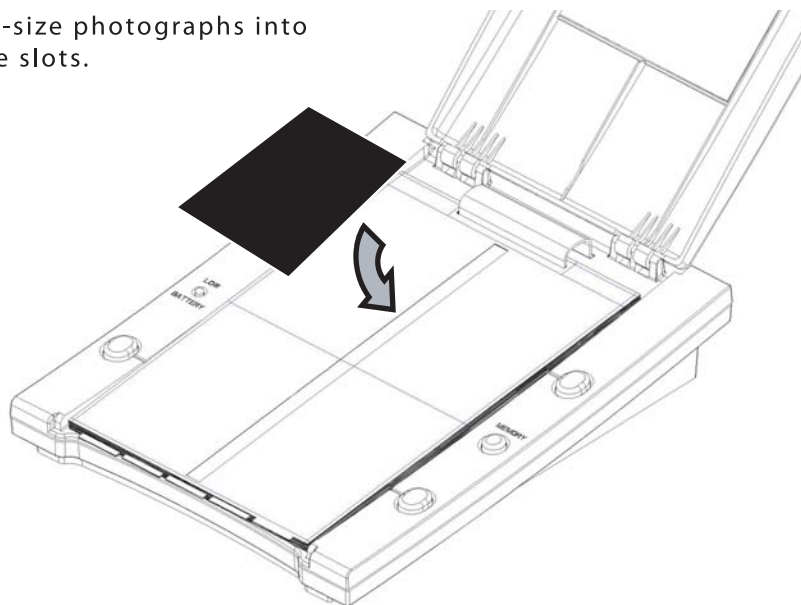


Step 2: Install Phone Lines

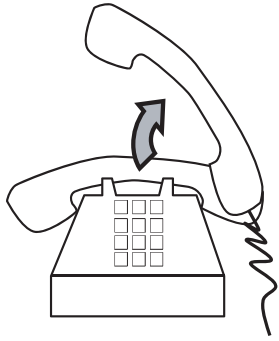
- Insert the phone line from the **wall** into the jack marked "**line**" on the FotoDialer
- Insert the phone line from **telephone** into the jack marked "**phone**" on the FotoDialer

Step 3: Insert Photographs

- Slide wallet-size photographs into desired page slots.

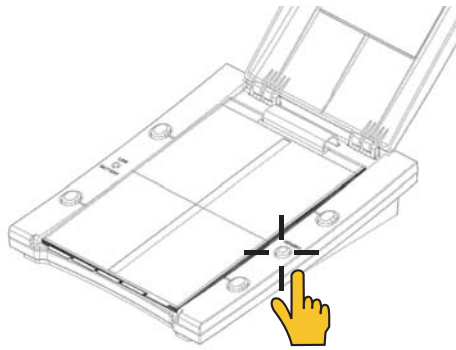


Step 4: How to Program Number



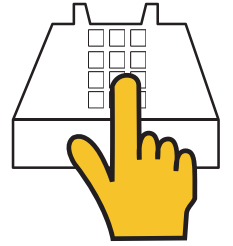
Pick up Phone and Wait for Dial Tone

1



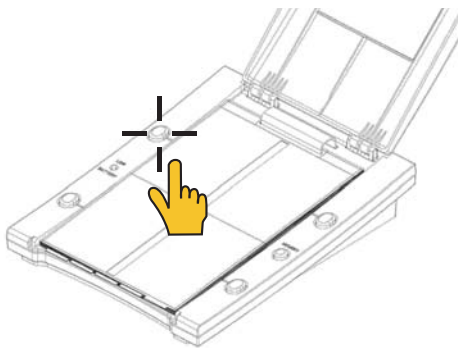
Press Memory Button

2



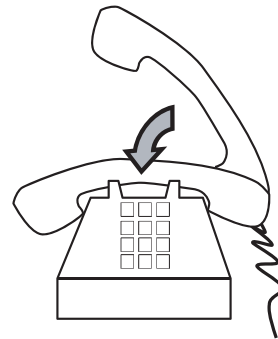
Dial Telephone Number

3



Press Desired Button

4

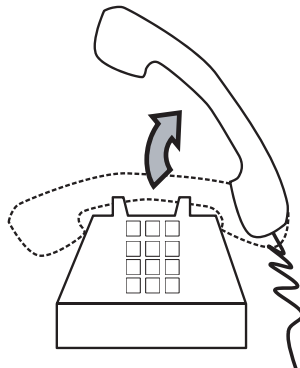


Hang up Phone

5

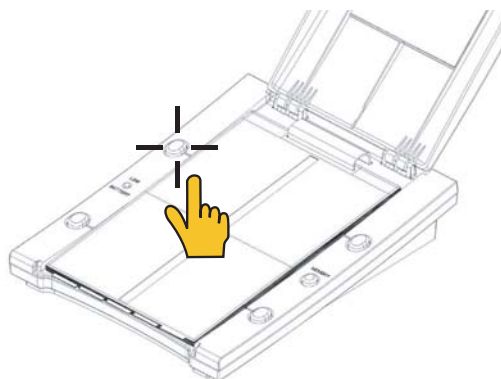
Complete!

Step 5: How to Use FotoDialer



Pick up Phone

1



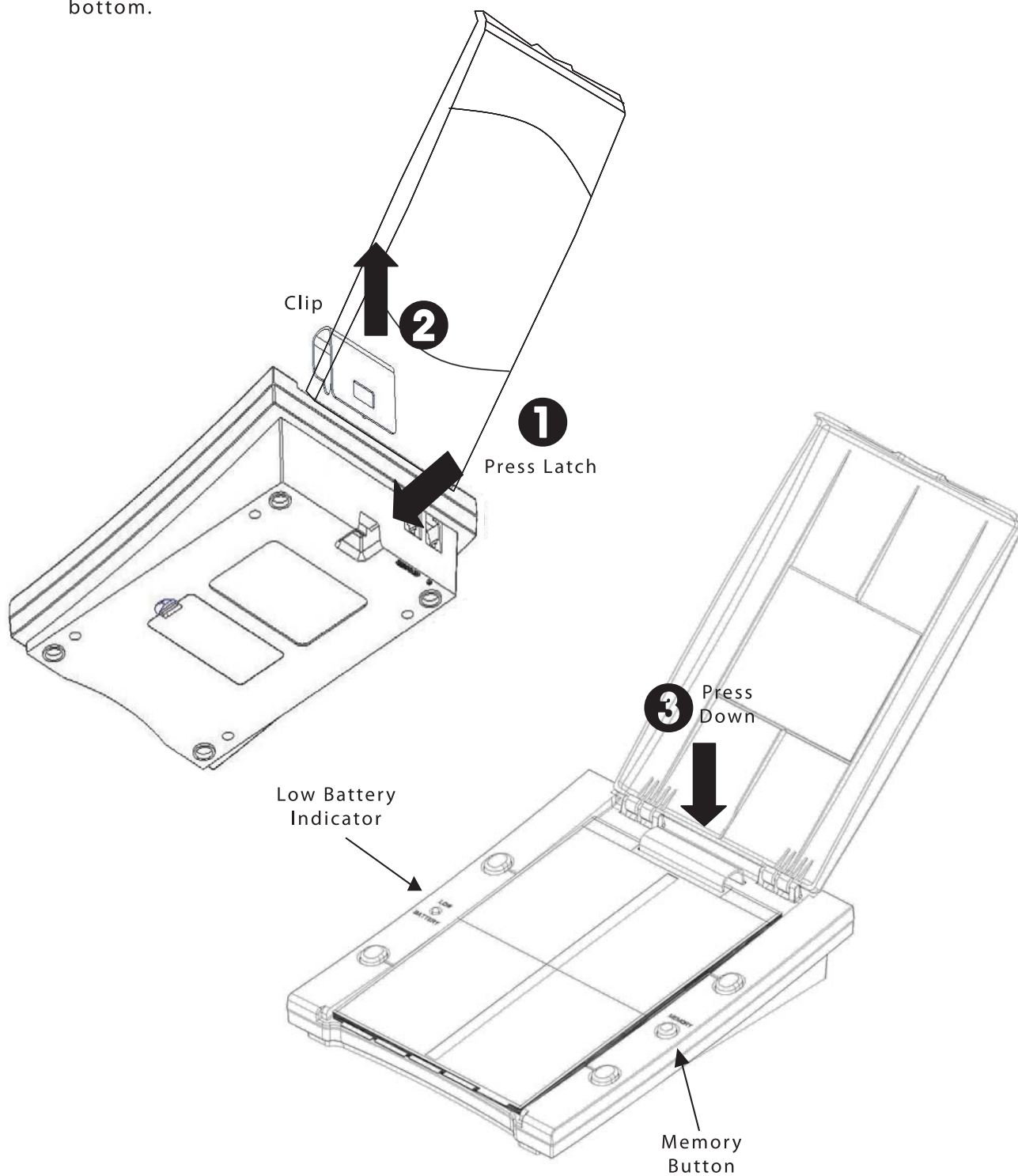
Press Desired Button

2

Page Replacement:

- 1 Press latch at the bottom of the unit
- 2 While pressing the latch, pull "clip" away from unit
- 3 Place sheets on unit then insert the "clip" into 2 slots as shown below. Press "clip" down to fasten. The "clip" will lock into place.

** Make sure all sheets are placed in numerical order; #1 on top and #6 on bottom.



Trouble Shooting

Suggestions:

- If you plan to take the unit with you during travel, it is suggested you enter the number including area code (e.g., (801) 123-4567); otherwise, the local 7 digit number will do.
- If you are in an office environment and need to dial 9 to get out, FotoDialer is capable of doing that (e.g., 9-123-4567).

Critical:

- **Make sure the pages are in numerical order; #1 on top and #6 on bottom, if not please follow the “page replacement” procedure (page 2) and put pages in correct order.**
- **Make sure phone lines are connected correctly and securely.**

Problems:

- | | |
|--|--|
| <ul style="list-style-type: none"> • No dial tone | <p>Check for low battery indicator
 Make sure you have good batteries
 Make sure batteries are positioned correctly
 Make sure phone lines are connected correctly and securely</p> |
| <ul style="list-style-type: none"> • Not dialing correct number | <p>Make sure the previous page is turned up all the way and positioned flat against the lid
 Make sure you are on the right page
 Make sure page numbers are in numerical order; page #1 on top and #6 on bottom
 Make sure phone lines are connected correctly and securely
 If all else fails, re-program the number</p> |

Still having problems?

Call Customer Service: 1-800-891-0675 9 am to 5 pm MST, Monday through Friday.

Tampering or opening unit voids the 90-day warranty.

